



AIRCRAFT CABLE SADDLE

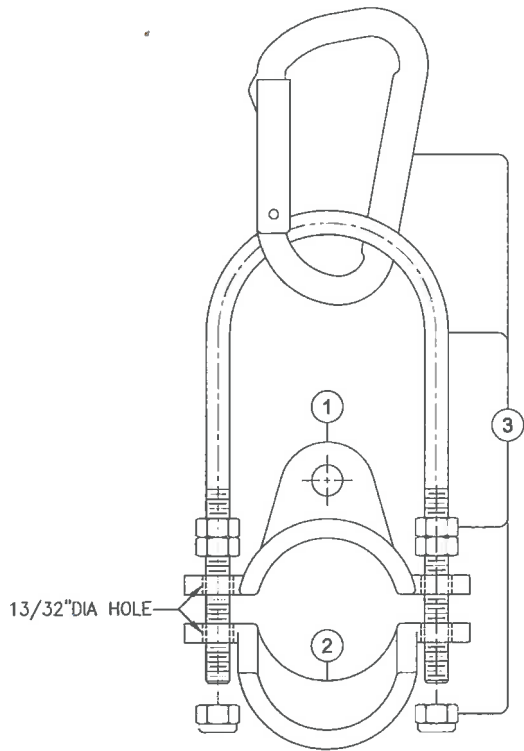


- Easy installation
- Strong & Durable
- Cast Aluminum Saddles
- Stainless Steel Hardware

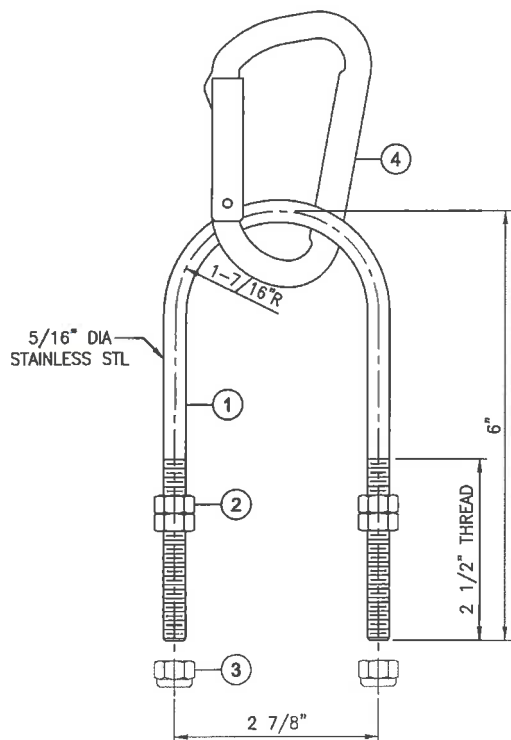
MCM has cable hoist saddles designed to properly support 400Hz or 28VDC aircraft cables. The saddles are cast aluminum and shaped to a gentle curve to minimize the stress on the cables. The U-bolt and hardware are all stainless steel to prevent rust and corrosion. The extra length on the U-bolt and the oversized carabiner makes it easy to connect and disconnect the cable from the hoist.



AIRCRAFT CABLE SADDLE



Item	Qty.	Part No.	Description
1	1	DA0-5712	CLAMP, UPPER HALF
2	1	DA0-5713	CLAMP, LOWER HALF
3	1	DA10-6200	U-BOLT ASSEMBLY



Item	Qty.	Part No.	Description
1	1	DA10-6202	U-BOLT, 5/16-18 SS
2	4	DA10-6203	HEX NUT, 18/8 SS
3	2	DA10-6204	LOCK NUT, NYLON INSERT, 18/8 SS
4	1	DA11-6261	CARABINER