



QUICK CONNECT AIR CONNECTOR



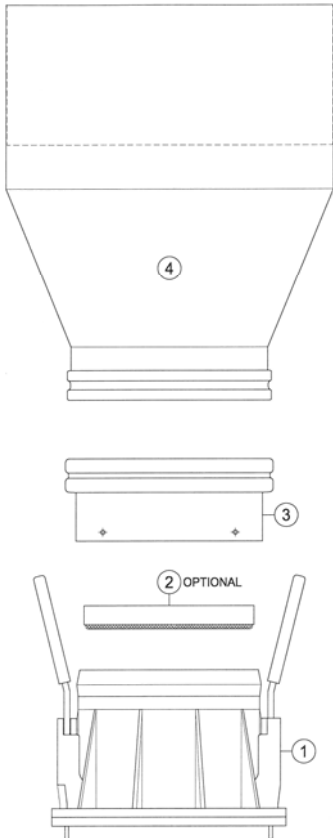
QC-AC

- No Tools Required for Connection
- Eliminates the need for Hose Clamps
- Installation of Connector in seconds
- Safe Clean Connection

The MCM Engineering Quick Connect Air Connector does not require tools for connection to be made and installation is less than 1 minute. The QC-AC has a patented technology that eliminates the need for hose clamps. Made with a clear polyurethane material the QC-AC fitting is cleaner, safer and last much longer than standard fabric and hose clamp. The 8" side of the QC-AC reducer has the BFM Fitting patented connection and the 14" side can be ordered with the Universal Zipper/Velcro or Velcro only to match the PCA duct being used by the end user.

- **040 Seeflex** is a clear polyester based thermoplastic polyurethane alloy
- Having no memory Seeflex will not fracture as a result of constant flexing.
- BFM Fitting's Patented Design
- Efficient air flow

Specifications: SEEFLEX Physical Properties	
Hardness	85 Shore A
Wall Thickness	0.039 in.
Tensile Strength	4,351 lb/in ²
Temp Range	-40°F to 185°F
Low Temp, Flexibility	Good
Surface Finish	Gloss/Gloss



QC-AC Assembly:

The MCM QC-AC is sold as an assembly consisting of items 1, 3 and 4. Item 2, the Stainless steel screen not pictured is optional. Please specify the type of connection required on the SEEFLEX 14" to 8" Reducer when placing an order. **Options:** Velcro Cuff or Velcro/Zipper Cuff.

Item 2 not pictured



Flexible Quick Connection

**Assembly Part Number:
DB10-6034-1**

Item	Qty	Part No.	Description
1	1	DD06-5946-2	PCA Adapter, Nylon Material
2	1	DA11-6039	Filter, Stainless Steel Screen
3	1	DA10-6033-1	Coupling, 8" Diameter
4	1	DA10-6032-1	SEEFLEX Reducer, 14" to 8" w/ Velcro Cuff